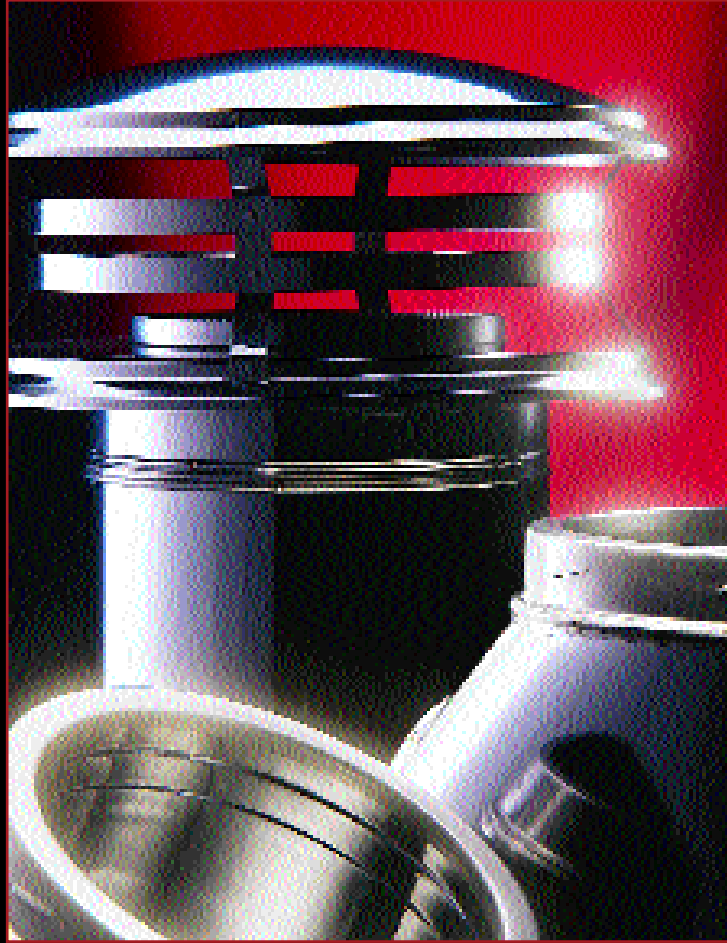


DURATECH™



ALL FUEL CHIMNEY SYSTEMS



Engineered Excellence®



Step Up To **E X C**

Unmatched Quality

Sleek Contemporary Styling

EXCELLENCE



Superior Performance

Engineered Excellence

DURATECH

DURATECH™

Designed and tooled to perfection for the chimney professional, the DuraTech Chimney System sets a new standard in quality, design, and performance.

ENGINEERED EXCELLENCE

Our new Thermal Tech blanket insulation, encased between dual walls of stainless steel, offers the optimum in safety and performance.

THERMAL TECH INSULATION

- Thermal Tech blanket insulation keeps the outer wall of the chimney cool, while ensuring high flue gas temperatures for optimum draft performance.
- Encased between dual walls of stainless steel, Thermal Tech blanket insulation is locked into position. This eliminates hot spots common with loose-fill type insulations. No sifting, settling, or dangerous voids.
- In the event of a creosote fire, compressible blanket insulation permits the chimney liner to expand outward in a radial direction. DuraTech's free floating liner design also permits the liner to expand in a longitudinal direction. This eliminates buckling and loss of structural integrity associated with solid-pack type insulations.

EASE OF INSTALLATION

- DuraTech's sleek one-inch wall design provides for easy installations, such as installation through 16" on center rafters.
- Light-weight insulation, combined with twist-lock fittings, provides for a new ease of installation.
- DuraTech support boxes feature factory installed twist-lock fittings.
- DuraTech Elbows offer new swivel 360° rotation at base.



LISTED BY UNDERWRITERS LABORATORIES

DuraTech 2100° Chimney has been tested and listed to the UL 103 HT standard, UL File #MH7399. Designed for normal continuous operation at 1000° F flue gas temperatures, DuraTech (5" - 8" diameters) has been subjected to rigorous and stringent UL testing including one hour at 1400° F, plus three ten-minute chimney fire tests at 2100° F. DuraTech 1700° F Chimney (10" - 16" diameters) has been tested and listed to the UL 1700° F test standard.

THE DURATECH FAMILY OF PRODUCTS

STAINLESS STEEL CONSTRUCTION

- .016" 430 stainless steel outer wall (optional .021" galvalume outer wall).
- .020" 430 stainless steel inner-liner (25% thicker than competitive chimneys for an extra margin of safety).
- Twist-lock end rings provide for ease of assembly.
- Precision tooled end ring design seals the insulation chamber to prevent water and creosote from soaking into the insulation.



APPLICATIONS



The DuraTech 2100° F Chimney System, offered in 5", 6", 7", and 8" sizes, has been designed for use with gravity vented appliances that have been tested and listed for use with a 2100° F HT chimney system, including:

- Wood stoves
- Fireplaces
- Oil, gas, and coal fired appliances
- Zero clearance factory-built fireplaces

LIFETIME WARRANTY

DuraTech is proudly offered with a limited lifetime warranty.

The DuraTech 1700° F Chimney System, offered in 10", 12", 14" and 16" sizes, has been designed for use with appliances that have been tested and listed for use with a 1700° F chimney system, including:

- New or restoration of existing masonry fireplaces
- Wood, oil, gas, and coal-fired appliances
- Available in galvalume outer and stainless steel inner walls



DECORATIVE BLACK STOVEPIPE

Select Simpson Dura-Vent double-wall or single-wall black stovepipe for improved stove performance, and a decorative finishing touch.

DVL STOVEPIPE

DVL double-wall stovepipe is engineered for enhanced safety and superior stove performance. DVL's double-wall air insulated design reduces clearances to combustibles. DVL improves stove performance by maintaining high flue gas temperatures for a strong, steady draft.

- Available in sizes 6", 7", and 8"
- Durable .016" stainless steel inner liner
- Drip-free design, no cutting or crimping
- 6" clearance to walls, 8" clearance to ceilings
- U.L. MH #14089 listed to 2100° F HT
- 25 year warranty

DURA-BLACK STOVEPIPE

Dura-Black single-wall black stovepipe features die-formed end fittings and adjustable lengths that eliminates cutting and crimping.

- Available in sizes 6", 7", and 8"
- 24-gauge steel construction
- Drip-free design
- 18-inch clearance to combustibles
- 5 year warranty

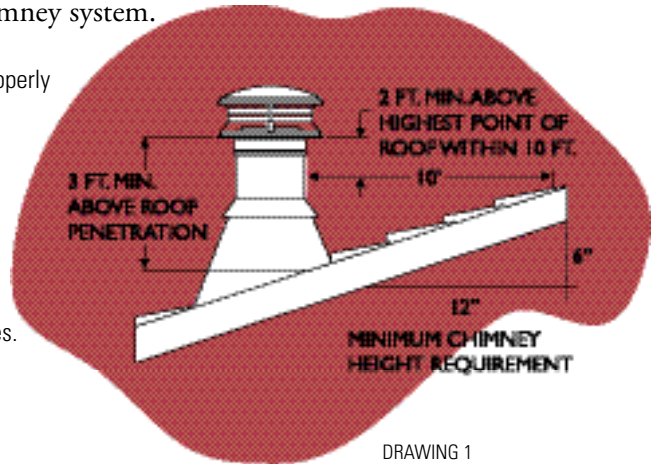


DESIGN AND SELECTION OF A DURATECH CHIMNEY SYSTEM

CHIMNEY DESIGN RECOMMENDATIONS

The following design recommendations are intended as only a general guideline to assist in the design and selection of chimney components for your installation. Read and follow the DuraTech installation instructions before installing your chimney system.

- The size of the chimney should match the outlet size of the appliance. An improperly sized chimney results in poor draft and excessive creosote formation.
- If possible, avoid the use of elbows, tees, and offsets that serve to restrict the natural draft. A straight vertical installation is more efficient and less likely to develop creosote.
- Install the chimney in the interior of the structure whenever possible. A cold exterior chimney will produce less draft, and will generate more creosote.
- Be fire safe! Maintain the minimum 2-inch clearance (air space) to combustibles. Use proper support and bracing. Follow local building codes and have your chimney inspected.



DRAWING 1

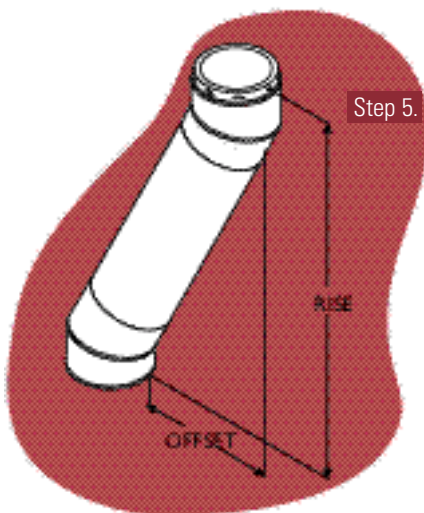
HOW TO PLAN YOUR CHIMNEY INSTALLATION

Step 1. Measure the diameter of the appliance flue outlet. Select chimney and DVL or Dura Black stovepipe with the same size flue dimension as the appliance. For fireplace installations, refer to the sizing chart in the back of this catalog.

Step 2. Measure the roof pitch. For example, a 6/12 pitch has a vertical rise of 6" over a horizontal distance of 12". Select the appropriate flashing. See Drawing 1.

Step 3. Determine the minimum chimney height above the roof line. Building codes require a minimum of three feet above the roof penetration, and at least two feet higher than any portion of a building within ten feet. See Drawing 1.

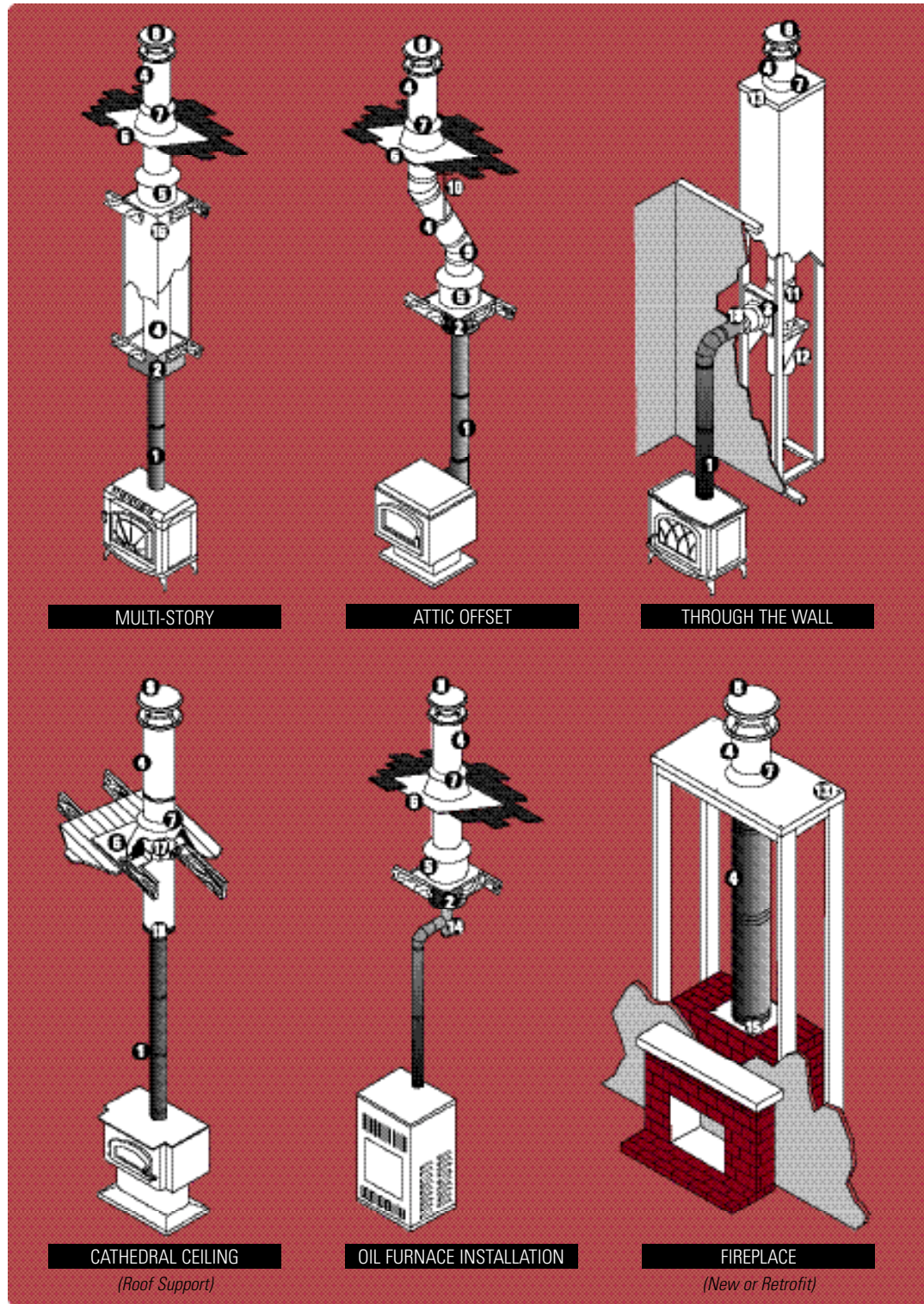
Step 4. If an offset is required to avoid rafters or other obstructions, measure the horizontal distance required and the vertical height available. Both 15° and 30° elbows are available. Please note that 45° elbows are not allowed in the United States. Refer to the offset tables in the back of this catalog. Use elbow straps to ensure adequate support. See Drawing 2.



DRAWING 2

Step 5. Determine the total length of chimney and stovepipe required for the installation. To calculate the installed per length of 5" - 8" DuraTech pipe, subtract 1¹/₄" per joint. For 10" - 16" diameter lengths, subtract 3/4" per joint of pipe. Subtract 1¹/₄" per joint of Dura-Black stovepipe. Subtract 1¹/₂" per joint of DVL, close clearance pipe. Minimum chimney height, at sea level for a straight vertical chimney, is 10 to 15 feet above the appliance outlet. Higher elevations, or the use of elbows or a tee will require approximately 30 to 60% more height to provide for an adequate draft.

TYPICAL CHIMNEY INSTALLATIONS



Refer to our “Typical Chimney Installation Drawings” to select the appropriate component parts for your installation. Important installation requirements below:

- A DVL Close Clearance Adapter must be used when connecting DVL pipe to a ceiling support box or finishing collar. When connecting Dura-Black pipe, a Dura-Black Slip Connector or Snap Lock Adapter must be used.
- A Wall Thimble must be installed with an appropriate length of chimney pipe for all horizontal through the wall installations. To accommodate thicker walls, the telescoping pieces can be separated, and a field-fabricated extension may be installed.
- An Attic Insulation Shield must be used in all installations that pass through an attic, regardless of whether the attic is insulated or not.
- A Firestop Radiation Shield must be used when a chimney passes through a floor or ceiling without a support box.

- 1 DVL or Dura-Black
- 2 Ceiling Support Box
- 3 Wall Thimble
- 4 Chimney Pipe
- 5 Attic Insulation Shield

- 6 Flashing
- 7 Storm Collar
- 8 Chimney Cap
- 9 Elbow
- 10 Elbow Strap

- 11 Tee with Tee Cap
- 12 Tee Support
- 13 Chase Top Flashing
- 14 Base Tee/Double Tee
- 15 Anchor Plate

- 16 Firestop Radiation Shield (not shown)
- 17 Roof Support
- 18 Finishing Collar

DURATECH CHIMNEY

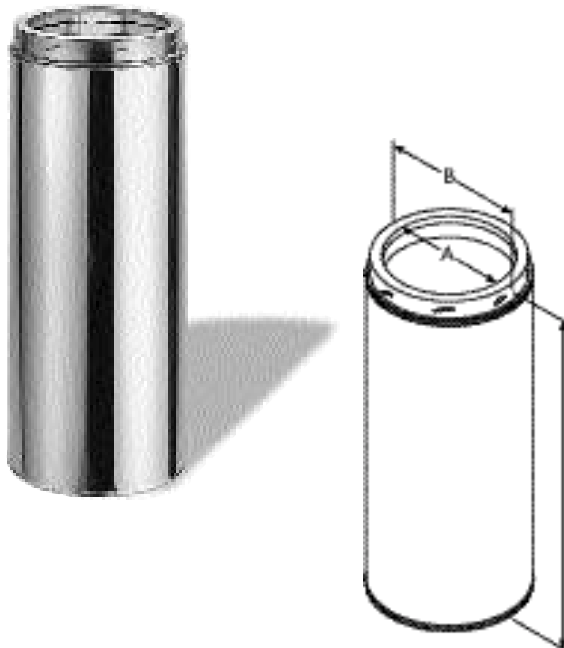
2100° F HT CHIMNEY SYSTEM

CHIMNEY PIPE

DuraTech Chimney, sizes 5", 6", 7" and 8", is designed for appliances that are tested and listed for use with a 2100° F HT chimney system, such as wood stoves, fireplaces, furnaces, boilers, stoves, ranges, water heaters, or other appliances fueled by wood, oil, coal or gas. DuraTech Chimney, sizes 5", 6", 7" and 8", is tested to UL test procedures 103HT 2100° F and listed under UL re-examination service number MH 7399. DuraTech Chimney sizes 5", 6", 7", and 8" are available in stainless steel (SS) or in a galvalume (GA) outer-casing and stainless steel inner-liner with twist-lock connections.

DuraTech Chimney, sizes 10", 12", 14" and 16", is designed for appliances that are tested and listed for use with a 1700° F rated chimney system, such as zero clearance or masonry fireplaces, furnaces, boilers, water heaters, stoves, ranges or other appliances fueled by oil, coal, gas or wood. DuraTech Chimney, sizes 10", 12", 14", and 16" is tested to UL 103 1700° F and listed under MH 7399. DuraTech Chimney sizes 10", 12", 14", and 16" are available in galvalume outer-casing and stainless steel inner-liner that require fastening with screws.

To calculate installed length of 5", 6", 7", or 8" DuraTech chimney, subtract 1¹/₄" from each joint overlap of chimney pipe. To calculate installed length of 10", 12", 14", or 16" DuraTech chimney, subtract 3³/₄" from each joint overlap of chimney pipe. Important: Allow a minimum of 2-inch air space to combustibles when installing DuraTech chimney.



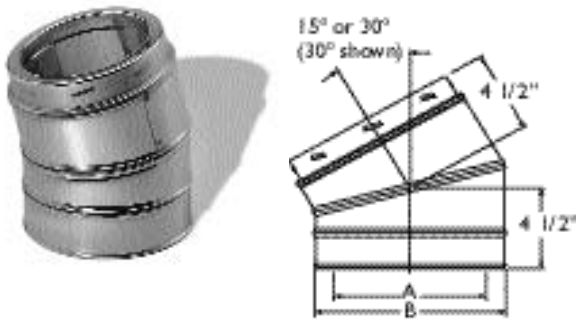
SIZE	5"	6"	7"	8"	10"	12"	14"	16"
A	5	6	7	8	10	12	14	16
B	7	8	9	10	12	14	16	18
LENGTH	5"	6"	7"	8"	10"	12"	14"	16"
6" SS	9302	9402	9502	9602	—	—	—	—
6" GA	9302GA	9402GA	9502GA	9602GA	—	—	—	—
12" SS	9303	9403	9503	9603	—	—	—	—
12" GA	9303GA	9403GA	9503GA	9603GA	99101	99201	99301	99401
18" SS	9304	9404	9504	9604	—	—	—	—
18" GA	9304GA	9404GA	9504GA	9604GA	99102	99202	99302	99402
24" SS	9305	9405	9505	9605	—	—	—	—
24" GA	9305GA	9405GA	9505GA	9605GA	99103	99203	99303	99403
36" SS	9306	9406	9506	9606	—	—	—	—
36" GA	9306GA	9406GA	9506GA	9606GA	99104	99204	99304	99404
48" SS	9307	9407	9507	9607	—	—	—	—
48" GA	9307GA	9407GA	9507GA	9607GA	—	—	—	—
PAINTED BLK	6"	9"	12"					
6" DIAMETER	9402B	9408B	9403B	—	—	—	—	—
8" DIAMETER	9602B	9608B	9603B	—	—	—	—	—

SS = Stainless Steel
 GA = Galvalume
 B = Black Painted

ELBOWS

Use elbows to offset around obstructions such as rafters, ridgepoles or joists. The 5", 6", 7" and 8" diameters may have two pairs of elbows if needed. Larger diameters are restricted to one pair of elbows. Offsets greater than 30° are not allowed. 5" - 8" elbows swivel 360°.

DuraTech Elbow 5", 6", 7", and 8" are available in stainless steel (SS) or galvalume (GA) outer-casing with stainless steel inner-liner that have twist-lock connection. An elbow in 10", 12", 14", and 16" is available with galvalume outer-casing and stainless steel inner-liner that require fastening with screws.

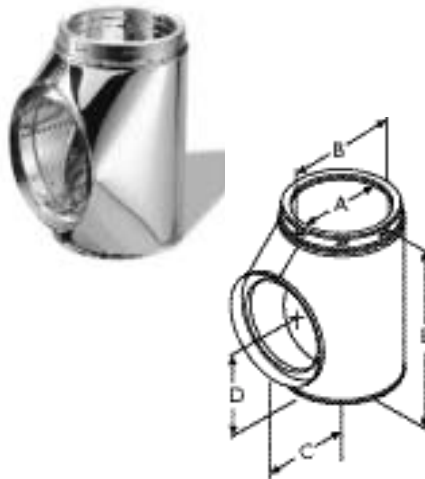


15° SIZE	5"	6"	7"	8"	10"	12"	14"	16"
A	5	6	7	8	—	—	—	—
B	7 1/4	8 1/4	9 1/4	10 1/4	—	—	—	—
SS STOCK #	9364	9464	9564	9664	—	—	—	—
GA STOCK #	9364GA	9464GA	9564GA	9664GA	—	—	—	—
30° SIZE	5"	6"	7"	8"	10"	12"	14"	16"
A	5	6	7	8	10	12	14	16
B	7 1/4	8 1/4	9 1/4	10 1/4	12	14	16	18
SS STOCK #	9366	9466	9566	9666	—	—	—	—
GA STOCK #	9366GA	9466GA	9566GA	9666GA	99166	99266	99366	99466

TEE WITH CAP

The tee can be used to start chimneys indoors (inside a chase) or outdoors. The tee clean-out cap is removable for easy chimney cleaning or inspection. Wall straps, a wall thimble and a tee support must be installed with the tee as directed.

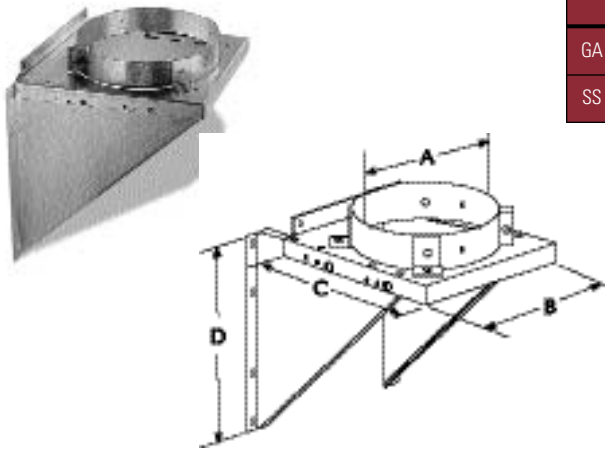
DuraTech Tee sizes 5", 6", 7", and 8" are available in stainless steel or with a galvalume outer-casing and stainless steel inner-liner, that have twist-lock connection. Tees in 10", 12", 14", and 16" sizes are available with galvalume outer-casing and stainless steel inner-liner that require fastening with screws. See instructions for proper location and installation of tee.



SIZE	5"	6"	7"	8"	10"	12"	14"	16"
A	5	6	7	8	10	12	14	16
B	7	8	9	10	12	14	16	18
C	5 7/8	6 3/8	6 7/8	13 7/8	10	11	12	13
D	5 7/8	6 3/8	6 7/8	7 3/8	10	11	12	13
E	13	14	15	16	20	22	24	26
SS STOCK #	9367	9467	9567	9667	—	—	—	—
GA STOCK #	9367GA	9467GA	9567GA	9667GA	99167	99267	99367	99467

ADJUSTABLE TEE SUPPORT BRACKET

Used as wall support for tee and chimney. 5" - 8" size brackets support up to 60-feet of DuraTech Chimney. 10" - 16" Tee support bracket support up to 30-feet of chimney. Tee support bracket attaches to pipe above or below tee. Triangular bracket may be inverted. Adjustable base provides 2" to 6" clearance to wall.



SIZE	5"	6"	7"	8"	10"	12"	14"	16"
A	7	8	9	10	12	14	16	18
B	10	10	12	12	14	16	18	20
C	11	11	13	13	15 ^{1/8}	17 ^{1/8}	19 ^{1/8}	21 ^{1/8}
D	11 ^{3/4}	11 ^{3/4}	13 ^{3/4}	13 ^{3/4}	16 ^{5/8}	18 ^{5/8}	20 ^{5/8}	22 ^{5/8}
GA STOCK #	9372N	9472N	9572N	9672N	99172	99272	99372	99472
SS STOCK #	—	9472SS	—	9672SS	—	—	—	—



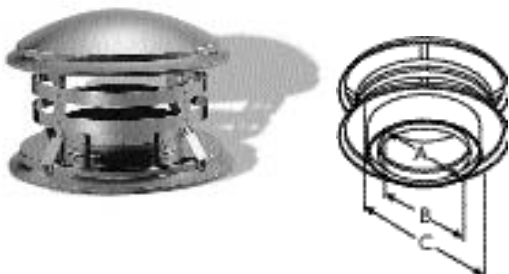
STAINLESS STEEL FINISHING PLATE

Stainless Steel Finishing Plate to enclose front section of stainless steel Tee Support Bracket, available in 6" and 8" only. Can only be used in 2" clearance to combustibles.

SIZE	6"	8"
STOCK #	9431SS	9631SS

CHIMNEY CAP

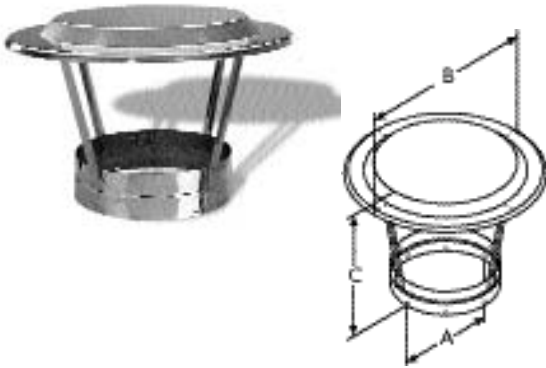
Chimney cap is made of stainless steel and is designed to twist-lock on to the chimney pipe. Chimney cap is assembled with removable screws that provide for cleaning the spark arrestor screen. Spark arrestor screen included.



SIZE	5"	6"	7"	8"	10"	12"	14"	16"
A	5	6	7	8	10	12	14	16
B	7	8	9	10	12	14	16	18
C	11	11	15	15	22	22	26	26
STOCK #	9384	9484	9584	9684	99184	99284	99384	99484

ECONOMY CHIMNEY CAP

Economy Cap in stainless steel for 10", 12", 14", and 16" DuraTech diameters. Requires fastening with screws.



SIZE	10"	12"	14"	16"
A	12 ¹ / ₈	14 ¹ / ₈	16 ¹ / ₈	18 ¹ / ₈
B	22	22	26	26
C	13 ⁷ / ₁₆	13 ³ / ₄	15 ⁷ / ₁₆	15 ⁵ / ₈
STOCK #	99185	99285	99385	99485

ROUND CEILING SUPPORT BOX

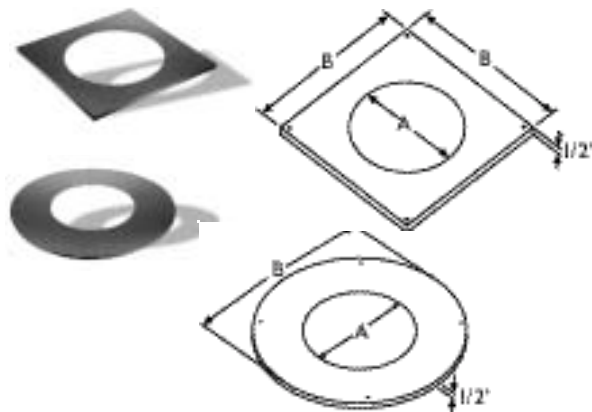
Round support boxes, with built-in twist-lock connector, support up to 60 feet of DuraTech Chimney. Round support boxes are painted black. Trim collars are not included with support box. 10" - 16" not shown, supports up to 40' of DuraTech Chimney.



SIZE	5"	6"	7"	8"	10"	12"	14"	16"
A	5 ¹ / ₄	6 ¹ / ₄	7 ¹ / ₄	8 ¹ / ₄	10 ⁵ / ₁₆	12 ⁵ / ₁₆	14 ⁵ / ₁₆	16 ⁵ / ₁₆
B	9	9	11	11	14	16	18	20
C	11	12	13	14	16	18	20	22
STOCK #	9345	9445	9545	9645	99145	99245	99345	99445

TRIM COLLARS FOR ROUND SUPPORT BOX

Select round or square trim collars to conceal the gap between the round ceiling support box and the ceiling cutout. Trim collars are painted black.

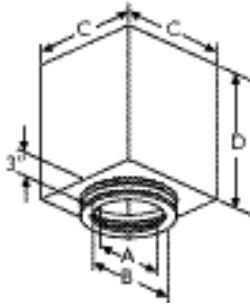


SQUARE SIZE	5"	6"	7"	8"	10"	12"	14"	16"
A	9 ¹ / ₈	9 ¹ / ₈	11 ¹ / ₈	11 ¹ / ₈	14 ¹ / ₄	16 ¹ / ₄	18 ¹ / ₄	20 ¹ / ₄
B	14	14	16	16	20	22	24	26
STOCK #	9345TS		9545TS		99145TS	99245TS	99345TS	99445TS

ROUND SIZE	5"	6"	7"	8"
A	9 ¹ / ₈	9 ¹ / ₈	11 ¹ / ₈	11 ¹ / ₈
B	17 ¹ / ₂	17 ¹ / ₂	20 ¹ / ₂	20 ¹ / ₂
STOCK #	9345TR		9545TR	

SQUARE CEILING SUPPORT BOX

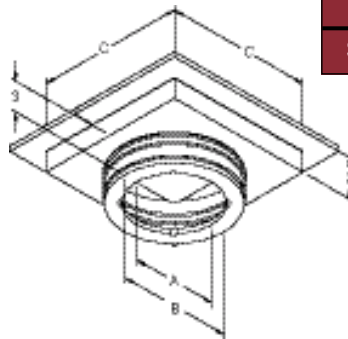
Square ceiling support boxes are suitable for both flat and cathedral (A-Frame) applications. They can also be used in short attic spaces (see instructions). Square ceiling support boxes are painted black. A 2-inch wide trim collar is included. Fits between standard 16-inch on center joists and most mobile home applications. Supports up to 60 feet of DuraTech Chimney.



SIZE	5"	6"	7"	8"
A	5 ¹ / ₄	6 ¹ / ₄	7 ¹ / ₄	8 ¹ / ₄
B	9	9	11	11
C	11	12	13	14 ¹ / ₄
D (LENGTH)	5"	6"	7"	8"
11"	9338A	9438A	9538A	9638A
24"	9338B	9438B	9538B	9638B
36"	9338D	9438D	9538D	9638D

FLAT CEILING SUPPORT BOX

Flat ceiling support boxes are not painted. Support boxes can be painted with high temperature paint. They are designed for installation in flat ceilings only. One-inch wide trim is included. Supports up to 60 feet of DuraTech Chimney.



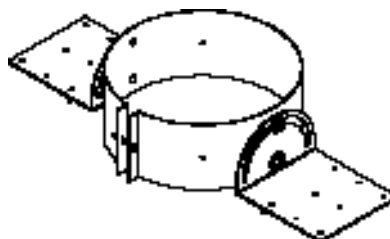
SIZE	5"	6"	7"	8"
A	5 ¹ / ₄	6 ¹ / ₄	7 ¹ / ₄	8 ¹ / ₄
B	9	9	11	11
C	14 ¹ / ₄	14 ¹ / ₄	14 ¹ / ₄	14 ¹ / ₄
STOCK #	9342	9442	9542	9642

ROOF SUPPORT

A roof support is designed to support the DuraTech Chimney and allow the chimney to pass through the roof and extend down from the ceiling. It is ideal for cathedral ceilings and free-standing fireplace installations. Supports up to a maximum total chimney length of 45 feet and 20 feet chimney below Roof Support. Trim collar not included. Adjustable to different roof pitches.

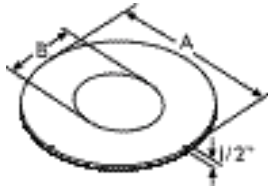


SIZE	5"	6"	7"	8"
STOCK #	9363	9463	9563	9663



ROOF SUPPORT TRIM COLLAR

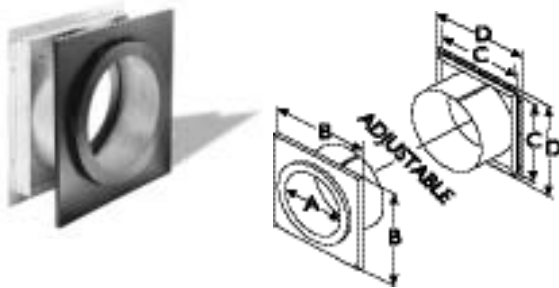
Round decorative trim conceals gap between chimney pipe and ceiling cut-out. Painted black.



SIZE	5"	6"	7"	8"
A	18	18	20	20
B	7 ¹ / ₄	8 ¹ / ₄	9 ¹ / ₄	10 ¹ / ₄
PITCH	5"	6"	7"	8"
0/12-3/12	7 ¹ / ₄	8 ¹ / ₄	9 ¹ / ₄	10 ¹ / ₄
STOCK #	9348A	9448A	9548A	9648A
4/12-6/12	7 ¹³ / ₁₆	8 ¹⁵ / ₁₆	10 ¹ / ₁₆	11 ¹ / ₈
STOCK #	9348B	9448B	9548B	9648B
7/12-9/12	8 ³ / ₄	10	11 ¹ / ₄	12 ¹ / ₂
STOCK #	9348C	9448C	9548C	9648C
10/12-12/12	9 ⁷ / ₈	11 ⁵ / ₁₆	12 ³ / ₄	14 ¹ / ₈
STOCK #	9348D	9448D	9548D	9648D

WALL THIMBLE

The wall thimble adjusts a minimum of 4" to a maximum of 10" and fits between standard wall studs. To accommodate thicker walls, the telescoping pieces can be separated, and a field fabricated extension installed. The interior trim ring is painted black. The wall thimble must be installed with DuraTech Chimney pipe horizontally through the wall sufficient in length to extend from the tee 6-inches into the room from the interior wall.



SIZE	5"	6"	7"	8"	10"	12"	14"	16"
A	7 ¹ / ₈	8 ¹ / ₈	9 ¹ / ₈	10 ¹ / ₈	12 ¹ / ₈	14 ¹ / ₈	16 ¹ / ₈	18 ¹ / ₈
B	14	14	16	16	20	22	24	26
C	10 ⁷ / ₈	11 ⁷ / ₈	12 ⁷ / ₈	13 ⁷ / ₈	15 ⁷ / ₈	17 ⁷ / ₈	19 ⁷ / ₈	21 ⁷ / ₈
D	13	14	15	16	18	20	22	24
STOCK #	9343	9443	9543	9643	99143	99243	99343	99443

Exterior Trim	6"	8"
STOCK #	9443SS	9643SS

FINISHING COLLAR

The round finishing collar fits over the end of the chimney pipe to provide a decorative finished appearance. Use on chimney pipe that is suspended with the roof support system or on pipe that is passing through a wall thimble. Provides for connection to black stovepipe.

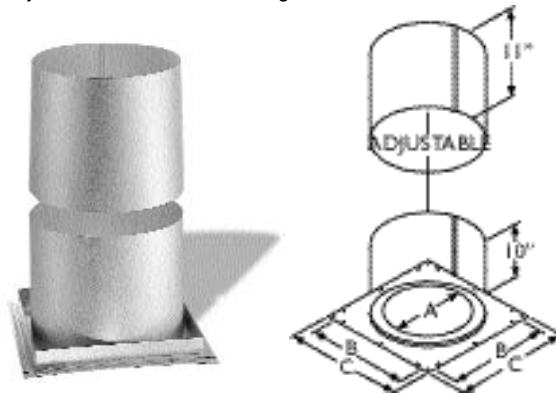
SIZE	5"	6"	7"	8"
A	5	6	7	8
B	7	8	9	10
STOCK #	9355	9455	9555	9655



FIRESTOP RADIATION SHIELD

Install where a chimney passes through a floor or ceiling without a support box. It centers pipe and provides proper clearance. Fits on underside of ceiling and adjusts to cover wide framing.

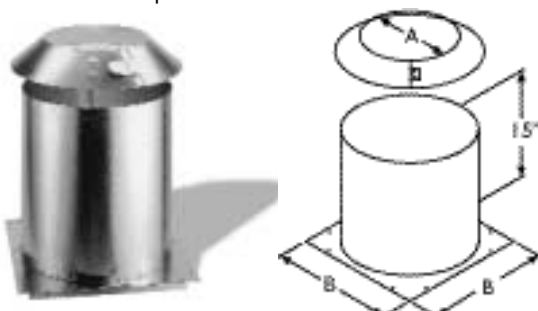
SIZE	5"	6"	7"	8"	10"	12"	14"	16"
A	7 ^{1/8}	8 ^{1/8}	9 ^{1/8}	10 ^{1/8}	12 ^{1/8}	14 ^{1/8}	16 ^{1/8}	18 ^{1/8}
B	10 ^{7/8}	11 ^{7/8}	12 ^{7/8}	13 ^{7/8}	18	20	22	24
C	13	14	15	16	15 ^{7/8}	17 ^{7/8}	19 ^{7/8}	21 ^{7/8}
STOCK #	9347	9447	9547	9647	99147	99247	99347	99447



ATTIC INSULATION SHIELD

Required for installations that pass through an attic to prevent insulation and debris from accumulating near the chimney. Attic insulation shields consist of two parts – a collar and base. Sizes 10" to 16" have mesh sleeve around top.

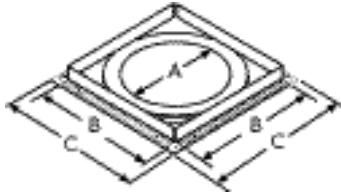
SIZE	5"	6"	7"	8"	10"	12"	14"	16"
A	7	8	9	10	12	14	16	18
B	13	14	15	16	18	20	22	24
STOCK #	9346	9446	9546	9646	99146	99246	99346	99446



FIRESTOP

For use only with roof supported chimney installations. May be used at ceiling above appliance providing chimney extends 3" below ceiling and chimney is not enclosed in a chase between ceiling and appliance. Do not use Firestop in place of Firestop Radiation Shield.

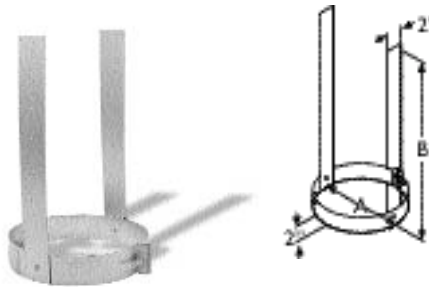
SIZE	5"	6"	7"	8"
A	7 ^{1/8}	8 ^{1/8}	9 ^{1/8}	10 ^{1/8}
B	10 ^{7/8}	11 ^{7/8}	12 ^{7/8}	13 ^{7/8}
C	13	14	15	16
STOCK #	9356	9456	9556	9656



ELBOW STRAP

Elbow strap is designed to avoid excessive weight on the elbows by supporting the weight of the chimney. Elbow straps are required to be installed between two elbows in offset installations. 10" - 16" not shown.

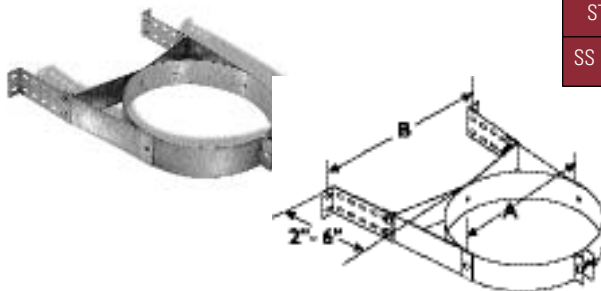
SIZE	5"	6"	7"	8"	10"	12"	14"	16"
A	7	8	9	10	12	14	16	18
B	16	16	16	16	30	30	30	30
STOCK #	9360	9460	9560	9660	99160	99260	99360	99460



ADJUSTABLE WALL STRAP

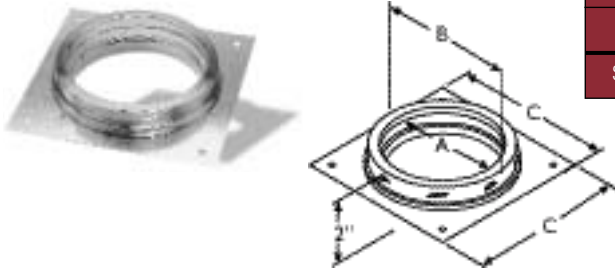
For use in interior or exterior installations to support and stabilize the chimney. Assures a 2-inch to 6-inch clearance to combustibles walls. Wall straps are required every eight feet. 10" - 16", not shown, not adjustable.

SIZE	5"	6"	7"	8"	10"	12"	14"	16"
A	7	8	9	10	12	14	16	18
B	10 ^{3/4}	11 ^{3/4}	12 ^{7/8}	14	16	18	20	22
STOCK #	9368N	9468N	9568N	9668N	99168	99268	99368	99468
SS STOCK #	—	9468SS	—	9668SS	—	—	—	—



ANCHOR PLATE

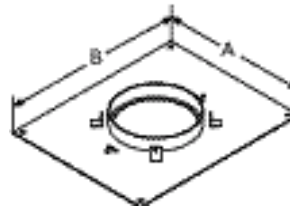
Use as a base plate for attaching DuraTech Chimney to zero clearance or masonry fireplaces. Check with zero clearance fireplace manufacturers to ensure that it is an approved installation method.



SIZE	5"	6"	7"	8"	10"	12"	14"	16"
A	5	6	7	8	10	12	14	16
B	7	8	9	10	12	14	16	18
C	9	10	11	12	14	16	18	20
STOCK #	9341	9441	9541	9641	99141	99241	99341	99441

TRANSITION ANCHOR PLATE

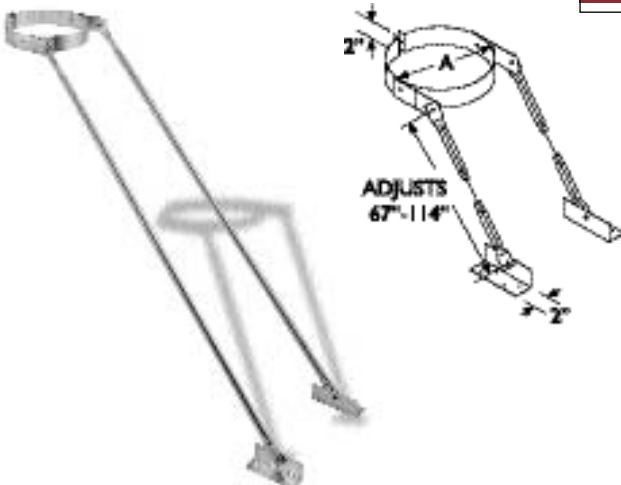
The Transition Anchor Plate provides for easy installations of Dura/Liner to DuraTech Chimney. Ideal for masonry chimney restoration.



SIZE	6"				8"			
A	14	17	13	17	14	17	13	17
B	17	17	21	21	17	17	21	21
STOCK #	9440A	9440B	9440C	9440D	9640A	9640B	9640C	9640D

EXTENDED ROOF BRACKET

Use to support the chimney when it extends more than five feet above the roof. Provides stability to chimney against wind and snow. Mounting brackets and adjustable tubing included.



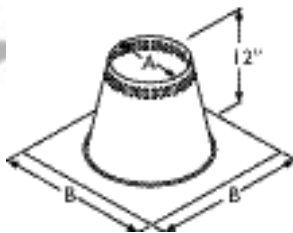
SIZE	5"	6"	7"	8"	10"	12"	14"	16"
A	7	8	9	10	12	14	16	18
STOCK #	9365	9465	9565	9665	99165	99265	99365	99465

ADJUSTABLE ROOF FLASHINGS

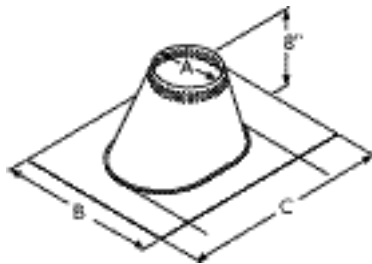
Select the proper roof flashing based on the pitch of the roof. For example, a 6/12 pitch has a vertical rise of 6-inches over a horizontal distance of 12-inches. All flashings are made out of aluminum.



ADJUSTABLE FLASHING



FLAT ROOF FLASHING

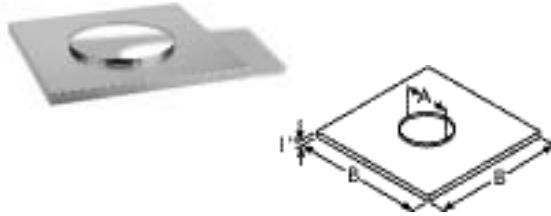


ADJUSTABLE FLASHING

ADJ. SIZE		5"	6"	7"	8"	10"	12"	14"	16"
0/12-6/12	A	7 ^{1/2}	8 ^{1/2}	9 ^{1/2}	10 ^{1/2}	12	14	16	18
	B	19	20	21	22	32	34	36	38
	C	26	27	28	29	30	32	34	36
	STOCK #	9349	9449	9549	9649	99149	99249	99349	99449
7/12-12/12	A	7 ^{1/2}	8 ^{1/2}	9 ^{1/2}	10 ^{1/2}	—	—	—	—
	B	19	20	21	22	—	—	—	—
	C	29	30	31	33	—	—	—	—
	STOCK #	9350	9450	9550	9650	—	—	—	—
13/12-18/12	A	7 ^{1/2}	8 ^{1/2}	9 ^{1/2}	10 ^{1/2}	—	—	—	—
	B	19	20	21	22	—	—	—	—
	C	32	34	36	38	—	—	—	—
	STOCK #	9352	9452	9552	9652	—	—	—	—
19/12-24/12	A	7 ^{1/2}	8 ^{1/2}	9 ^{1/2}	10 ^{1/2}	—	—	—	—
	B	19	20	21	22	—	—	—	—
	C	37	39	41	44	—	—	—	—
	STOCK #	9381	9481	9581	9681	—	—	—	—
FLAT ROOF		5"	6"	7"	8"	10"	12"	14"	16"
	A	7 ^{1/4}	8 ^{1/4}	9 ^{1/4}	10 ^{1/4}	12	14	16	18
	B	19	20	21	22	24	26	28	30
	STOCK #	9351	9451	9551	9651	99151	99251	99351	99451
LARGE BASE									
ADJ. SIZE		5"	6"	7"	8"	10"	12"	14"	16"
0/12-6/12	A	—	8 ^{1/4}	—	10 ^{1/4}	—	—	—	—
	B	—	28	—	30	—	—	—	—
	C	—	27	—	29	—	—	—	—
	STOCK #	—	9449	—	9649	—	—	—	—
7/12-12/12	A	—	8 ^{1/4}	—	10 ^{1/4}	—	—	—	—
	B	—	28	—	30	—	—	—	—
	C	—	30	—	33	—	—	—	—
	STOCK #	—	9450	—	9650	—	—	—	—

CHASE TOP FLASHING

Use to enclose the top of a chase while providing a ventilation air passage to the chase. UL listed. Aluminum construction. Chase top includes spacer clips. Storm collar not included.



SIZE	5"	6"	7"	8"	10"	12"	14"	16"
A	10	11	12	13	15	17	19	21
B	18 ^{3/4}	19 ^{3/4}	20 ^{3/4}	21 ^{3/4}	34	36	38	40
STOCK #	9330	9430	9530	9630	99130	99230	99330	99430

STORM COLLAR

The storm collar slips around the pipe just above the flashing. Seal the inner edge of the collar to the chimney pipe with non-hardening 500° F high temperature sealant. Storm collar is made of aluminum. 10" - 16" not shown.



SIZE	5"	6"	7"	8"	10"	12"	14"	16"
A	7	8	9	10	12	14	16	18
B	12	14	15	16	23	25	27	29
STOCK #	9359	9359	9559	9559	99159	99259	99359	99459

LOCKING BAND

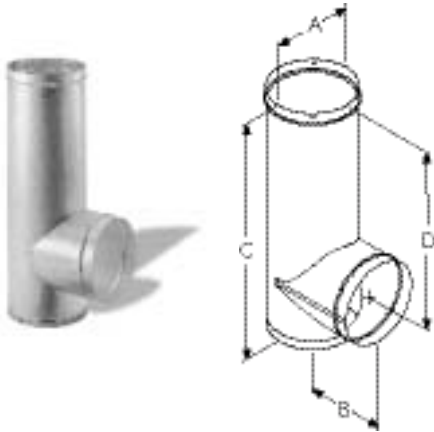
Optional locking band available for extra security at pipe, elbow, and tee joints.



SIZE	5"	6"	7"	8"
A	7	8	9	10
STOCK #	9301	9401	9501	9601

BASE TEE

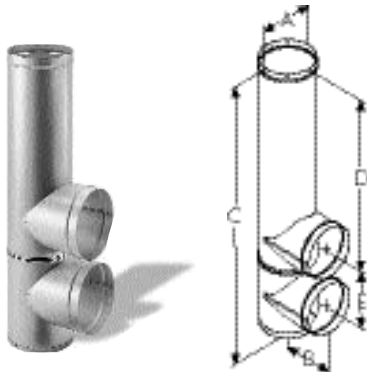
Single-wall tee is for connection of a gas or oil-burning appliance to DuraTech Chimney. Constructed of .021" aluminized steel. Tee cap included. Important: Maintain 18-inch clearance (air space) to combustible materials.



SIZE	5"	6"	7"	8"
A	5	6	7	8
B	6 ^{1/2}	7	7 ^{1/2}	8
C	22	23	24	25
D	17 ^{1/2}	18	18 ^{1/2}	19
STOCK #	9370	9470	9570	9670

DOUBLE BASE TEE

Single-wall tee for connection of two gas or oil-burning appliances to DuraTech Chimney. Constructed of .021" aluminized steel. Tee cap included. Important: Maintain 18-inch clearance (air space) to combustible materials.



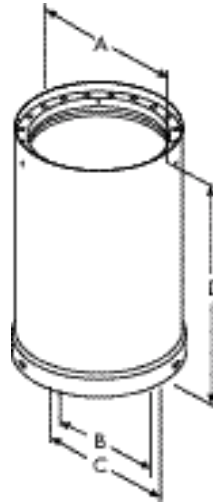
SIZE	5"	6"	7"	8"
A	5	6	7	8
B	6 ^{1/2}	7	7 ^{1/2}	8
C	29	31	33	35
D	17 ^{1/2}	18	18 ^{1/2}	19
E	6 ^{1/2}	7 ^{1/2}	8 ^{1/2}	9 ^{1/2}
STOCK #	9371	9471	9571	9671

DVL® CLOSE CLEARANCE CONNECTOR

UL LISTED TO 2100° F 6" CLEARANCE TO WALLS AND 8" TO CEILINGS

DVL PIPE LENGTH

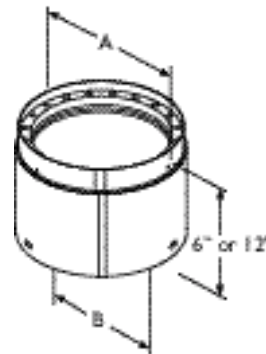
Double wall close clearance connector stovepipe is available in 6", 7" and 8" diameters for installation with minimum clearance to combustibles (6" to walls, 8" to ceilings). DVL is constructed with a stainless steel inner wall for long, lasting performance and safety. For mobile home installation, follow the appliance manufacturer's installation instructions.



SIZE	6"	7"	8"
A	7	8	9
B	6	7	8
C	7 1/8	8 1/8	9 1/8
D	6, 12, 18, 24 & 48"		
6" LENGTH	8606	8706	8806
12" LENGTH	8612	8712	8812
18" LENGTH	8618	8718	8818
24" LENGTH	8624	8724	8824
48" LENGTH	8648	8748	8848

DVL ADJUSTABLE PIPE LENGTH

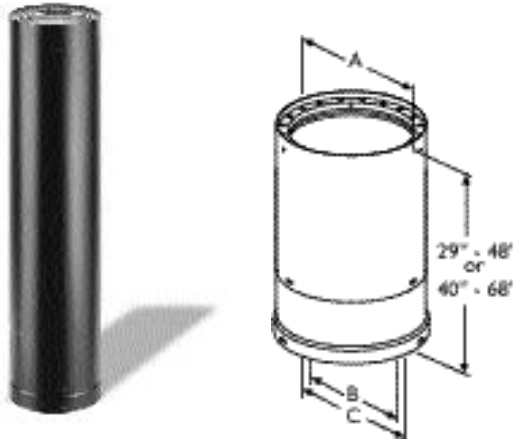
Available to achieve pipe length requirements not attainable with fixed lengths of DVL. There is approximately 3" of adjustment on the 6" length and 7" of adjustment on the 12" length of pipe. All pieces must have a minimum 1" overlap with all connecting pipe.



SIZE	6"	7"	8"
A	7	8	9
B	6	7	8
6" STOCK #	8685	8785	8885
12" STOCK #	8687	8787	8887

DVL TELESCOPING PIPE LENGTH

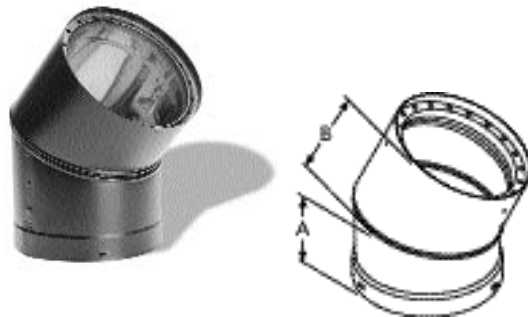
Allows one-piece installation from stove to ceiling support box or finishing collar. Available in 29" - 48" and 40" - 68" extensions. Easy to install — no cutting required.



SIZE	6"	7"	8"
A	7	8	9
B	6	7	8
C	7 ¹ / ₈	8 ¹ / ₈	9 ¹ / ₈
29"-48"	8646	8746	8846
40"-68"	8647	8747	8847

DVL 45° ELBOW

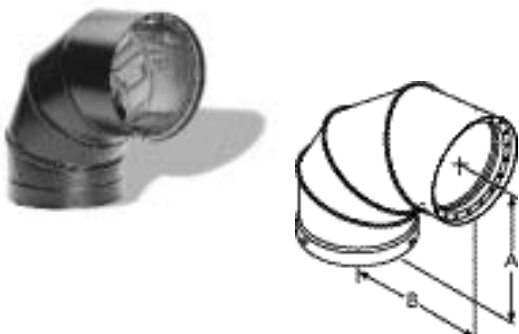
Offsets obstructions as needed. Elbow is not adjustable.



SIZE	6"	7"	8"
A	5 ¹ / ₄	5 ³ / ₈	5 ³ / ₈
B	4 ¹ / ₄	4 ¹ / ₂	4 ¹ / ₂
STOCK #	8645	8745	8845

DVL 90° ELBOW

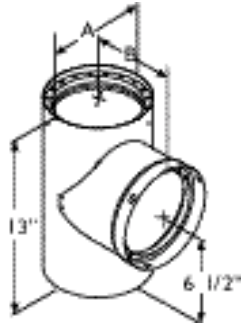
Angles DVL pipe towards the chimney's thimble or the appliance flue outlet. Elbow is not adjustable. Not recommended for rear exit appliances.



SIZE	6"	7"	8"
A	8 ¹ / ₂	8 ¹ / ₂	8 ¹ / ₂
B	7 ¹ / ₂	7 ³ / ₄	7 ⁷ / ₈
STOCK #	8690	8790	8890

DVL TEE

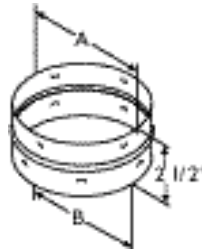
Tee comes with convenient clean-out cap. For use with rear exit appliances.



SIZE	6"	7"	8"
A	7	8	9
B	6	7	8
STOCK #	8655	8755	8855

DVL CLOSE CLEARANCE ADAPTER

The stainless steel close clearance DVL Adapter is the only part that will allow for a connection from double-wall DVL to DuraTech Finishing Collar for a through-the-wall or ceiling support installation. Pipe cannot attach properly without this part.



SIZE	5"	6"	7"	8"
A	6	6 ¹ / ₈	7 ¹ / ₈	8 ¹ / ₈
B	4 ¹ / ₂	6	7	8
STOCK #	8580	8674	8774	8874

DVL OVAL TO ROUND ADAPTER

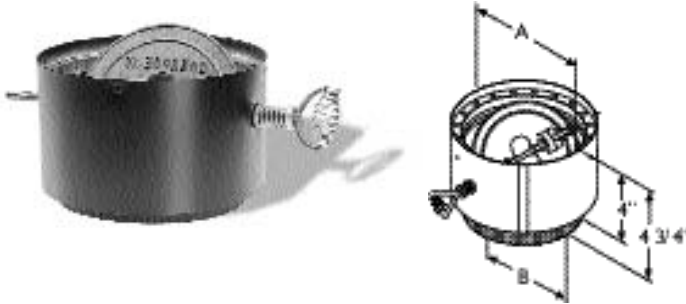
Use on appliances with oval flue collars to adapt to round pipe.

SIZE	8" Oval to 6" Round	8" Oval to 8" Round
STOCK #	8670	8870



DVL DAMPER SECTION

Connects DVL pipe to the appliance flue outlet. The damper is optional. To be used as a stove adapter.

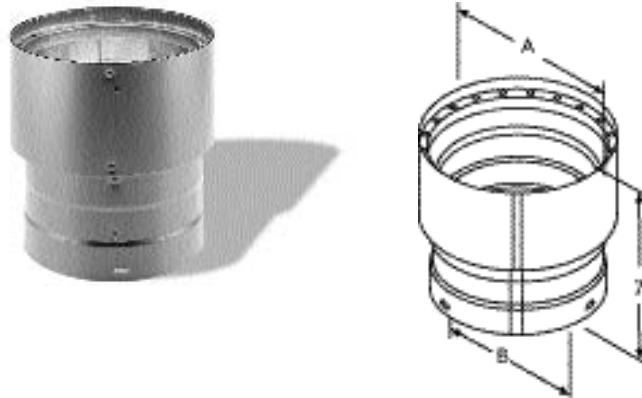


SIZE	5"	6"	7"	8"
A	6	7	8	9
B	4 1/2	5 5/8	6 1/2	7 1/2
STOCK # with damper	—	8679	8779	8879
STOCK # w/o damper	8580	8680	8780	8880

DVL INCREASER

Use to increase from a smaller appliance flue outlet to larger diameter chimney. Must be used with a DVL close clearance adapter when connecting to the support box. Stock #8860 is designed to fit on the last upper most section of DVL connector pipe.

SIZE	5"-6"	6"-7"	7"-8"	6"-8"
A	7	8	9	9
B	6 1/8	7 1/8	8 1/8	7
STOCK #	8667	8767	8867	8860

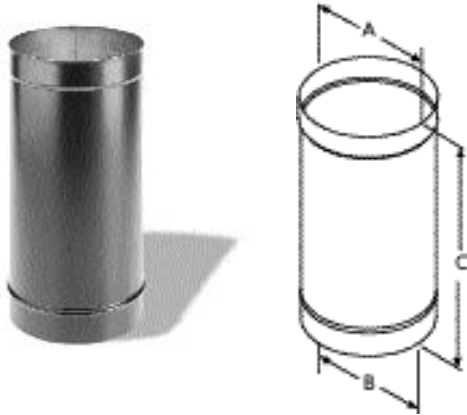


DURA-BLACK® 18" CLEARANCE TO COMBUSTIBLES

SINGLE-WALL, 24-GAUGE, DRIP-FREE BLACK PIPE PER NFPA 211 REQUIREMENTS

DURA-BLACK SINGLE-WALL BLACK PIPE

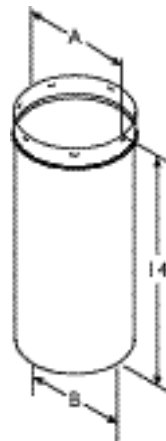
18" clearance to combustibles required for single-wall stovepipe. Warranted for a period of five years from installation. Subtract 1 1/4" from the "C" measurement to calculate the installed length.



SIZE	6"	7"	8"	10"
A	6 ¹ / ₈	7 ¹ / ₈	8 ¹ / ₈	10 ¹ / ₈
B	6	7	8	10
C	12", 24" or 48"			
12" LENGTH	1612	1712	1812	2012
24" LENGTH	1624	1724	1824	2024
48" LENGTH	1648	1748	1848	—

DURA-BLACK SLIP CONNECTOR

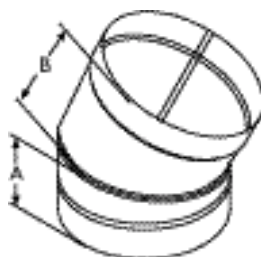
Connects Dura-Black pipe to ceiling support box or finishing collar. Allows 10-inches of adjustment for an easy drip-free installation without cutting the pipe. Required for proper connection of pipe.



SIZE	6"	7"	8"	10"
A	6 ³ / ₁₆	7 ³ / ₁₆	8 ³ / ₁₆	9 ⁵ / ₁₆
B	5 ¹⁵ / ₁₆	6 ¹⁵ / ₁₆	7 ¹⁵ / ₁₆	10 ³ / ₁₆
STOCK #	1670	1770	1870	2070

DURA-BLACK 45° ELBOW

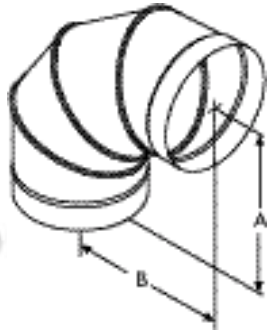
For offsetting Dura-Black stovepipe. Elbow is not adjustable.



SIZE	6"	7"	8"	10"
A	4 ³ / ₈	4 ⁵ / ₈	4 ³ / ₈	4 ¹ / ₂
B	3 ³ / ₈	3 ¹ / ₄	3 ¹ / ₂	3 ⁵ / ₈
STOCK #	1645	1745	1845	2045

DURA-BLACK 90° ELBOW

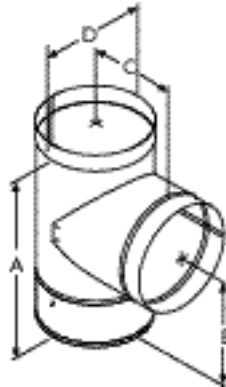
For offsetting Dura-Black stovepipe.
Elbow is not adjustable.



SIZE	6"	7"	8"	10"
A	7 ³ / ₄	8 ¹ / ₄	8	7 ¹ / ₂
B	7	6 ³ / ₄	6 ³ / ₄	7
STOCK #	1690	1790	1890	2090

DURA-BLACK TEE

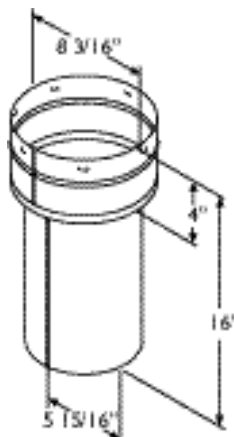
Use the Dura-Black tee for a drip-free 90° turn with rear-exit appliances. Includes clean-out cap.



SIZE	6"	7"	8"	10"
A	10 ¹ / ₂	11 ¹ / ₂	12 ¹ / ₂	14
B	6 ³ / ₈	7	7 ¹ / ₄	8 ¹ / ₄
C	5 ³ / ₄	6	7	8
D	6 ¹ / ₈	7 ¹ / ₈	8 ¹ / ₈	10 ¹ / ₈
STOCK #	1655	1755	1855	2055

DURA-BLACK 6" TO 8" SLIP INCREASER

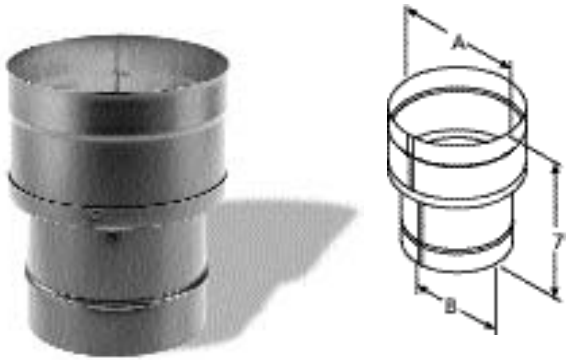
Adapts from 6" Dura-Black to 8" DuraTech at the ceiling support box or finishing collar.



SIZE	6" - 8"
STOCK #	1860

DURA-BLACK INCREASER

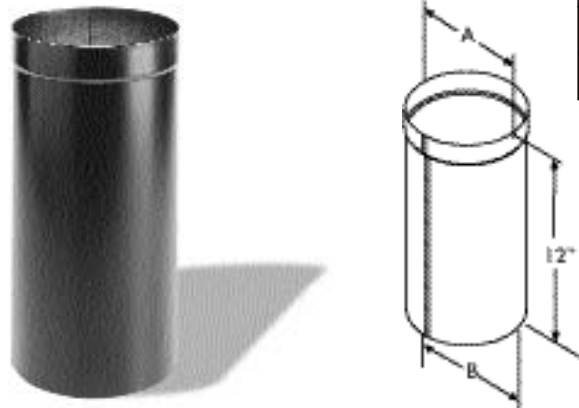
Use to increase from a smaller appliance flue outlet to a larger diameter stovepipe.



SIZE	6"	7"	8"	10"	10"
A	6 ¹ / ₈	7 ¹ / ₈	8 ¹ / ₈	10 ¹ / ₈	10 ¹ / ₈
B	5	6	7	8	9
STOCK #	1667	1767	1867	2067	2069

DURA-BLACK OVAL TO ROUND ADAPTER

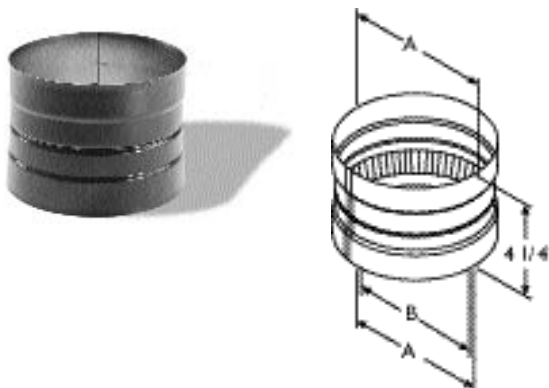
The bottom end ovals easily to connect to the oval flue outlet of the appliance.



SIZE	6"	7"	8"
A	6 ¹ / ₈	7 ¹ / ₈	8 ¹ / ₈
B	5 ¹⁵ / ₁₆	6 ¹⁵ / ₁₆	7 ¹⁵ / ₁₆
STOCK #	1675	1775	1875

DURA-BLACK DOUBLE SKIRTED STOVETOP ADAPTER

Adapts appliance flue outlets from the size specified to 3/8" smaller inside diameter.

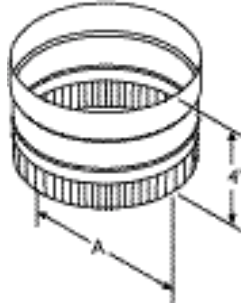


SIZE	6"	7"	8"	10"
A	6 ¹ / ₈	7 ¹ / ₈	8 ¹ / ₈	10 ¹ / ₈
B	5 ⁵ / ₈	6 ⁵ / ₈	7 ⁵ / ₈	9 ⁵ / ₈
STOCK #	1672	1772	1872	2072

DURA-BLACK STOVETOP ADAPTER

Suitable for appliance flue outlets from the size specified to 1/8" smaller inside diameter.

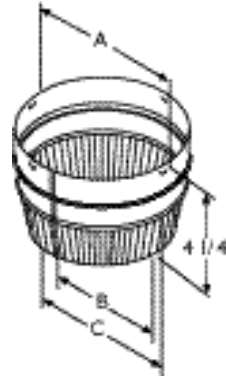
SIZE	6"	7"	8"
A	5 ¹⁵ / ₁₆	6 ¹⁵ / ₁₆	7 ¹⁵ / ₁₆
STOCK #	1677	1777	1877



SNAP-LOCK ADAPTER

Snaps into the ceiling support box and extends down to fit inside most stovepipe for a secure drip-free connection to a DuraTech Chimney system. Painted black.

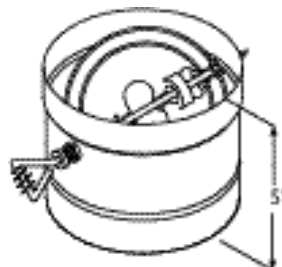
SIZE	5"	6"	7"	8"
A	5 ³ / ₁₆	6 ³ / ₁₆	7 ³ / ₁₆	8 ³ / ₁₆
B	4 ⁵ / ₈	5 ⁵ / ₈	6 ¹ / ₂	7 ¹ / ₂
C	4 ¹⁵ / ₁₆	5 ¹⁵ / ₁₆	6 ¹⁵ / ₁₆	7 ¹⁵ / ₁₆
STOCK #	6589	6689	6789	6889



DURA-BLACK DAMPER SECTION

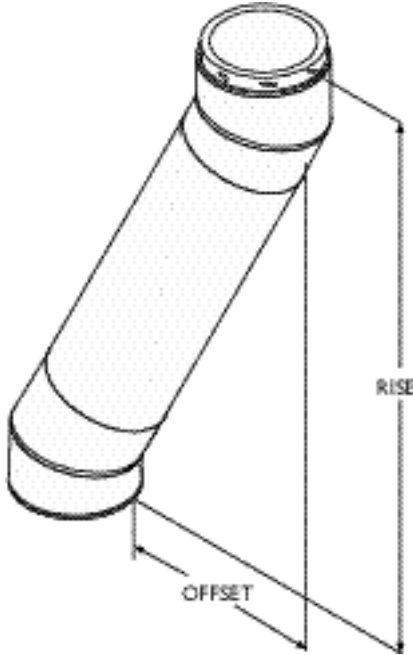
A short pipe section with the damper conveniently pre-installed. Install at stove outlet.

SIZE	6"	7"	8"
STOCK #	1605	1705	1805



OFFSET CHARTS

DURATECH CHIMNEY

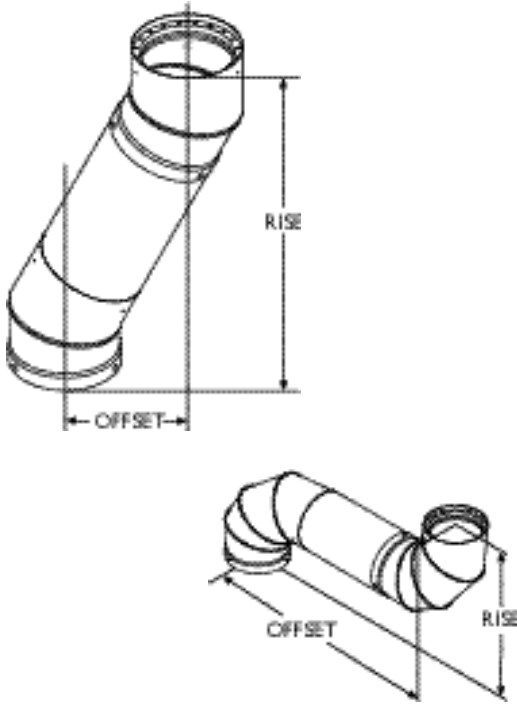


SIZE		5, 6, 7, 8 inch Diameter		SIZE		10, 12, 14, 16 inch Diameter	
Elbow Angle from Vertical	Chimney Length Between Elbows	Offset inches	Rise inches	Elbow Angle from Vertical	Chimney Length Between Elbows	Offset inches	Rise inches
15°	0"	2	16 ¹ / ₂	30°	0"	6	23
15°	6"	3 ¹ / ₄	21 ¹ / ₄	30°	12"	11	33
15°	12"	4 ³ / ₄	27	30°	18"	14	38
15°	18"	6 ¹ / ₄	32 ³ / ₄	30°	24"	17	43
15°	24"	8	38 ¹ / ₂	30°	36"	23	53
15°	36"	11	50 ¹ / ₄	30°	24"+24"	29	63
15°	48"	14 ¹ / ₄	61 ³ / ₄				
15°	48"+ 6"	15 ¹ / ₂	66 ¹ / ₂				
15°	48"+ 12"	17	72 ¹ / ₄				
15°	48"+ 18"	18 ¹ / ₂	78				
15°	48"+ 24"	20	83 ³ / ₄				
30°	0"	4	15 ³ / ₄				
30°	6"	6 ¹ / ₄	20				
30°	12"	9 ¹ / ₄	25 ¹ / ₄				
30°	18"	12 ¹ / ₄	30 ¹ / ₄				
30°	24"	15 ¹ / ₄	35 ¹ / ₂				
30°	36"	21 ¹ / ₄	46				
30°	48"	27 ¹ / ₄	56 ¹ / ₄				
30°	48"+ 6"	29 ³ / ₄	60 ¹ / ₂				
30°	48"+ 12"	32 ³ / ₄	65 ³ / ₄				
30°	48"+ 18"	35 ³ / ₄	71				
30°	48"+ 24"	38 ³ / ₄	76				

DVL CLOSE CLEARANCE CONNECTOR PIPE

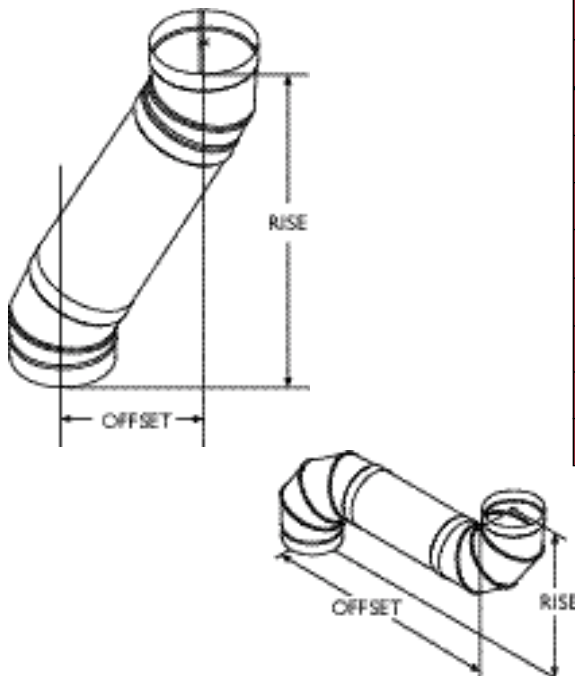
DVL SPECIFICATIONS

Subtract 3/4" from each pipe length to calculate total installed length.



SIZE		6" Diameter		7" Diameter		8" Diameter	
Elbow Angle from Vertical	Connect Length Between Elbows	Offset inches	Rise inches	Offset inches	Rise inches	Offset inches	Rise inches
45°	0"	5 ³ / ₄	15 ¹ / ₄	6	16	6	16
45°	6"	9 ¹ / ₄	18 ³ / ₄	9 ¹ / ₂	17 ¹ / ₄	9 ¹ / ₂	17 ¹ / ₄
45°	12"	13 ¹ / ₂	23	13 ³ / ₄	23 ¹ / ₂	13 ³ / ₄	23 ¹ / ₂
45°	18"	17 ³ / ₄	27 ¹ / ₄	18	27 ³ / ₄	18	27 ³ / ₄
45°	24"	22	31 ¹ / ₂	22 ¹ / ₄	32	22 ¹ / ₄	32
45°	48"	39	48 ¹ / ₂	39 ¹ / ₄	49	39 ¹ / ₄	49
90°	0"	14 ³ / ₄	16	15	16 ¹ / ₄	15 ¹ / ₄	16
90°	6"	19 ¹ / ₂	16	19 ³ / ₄	16 ¹ / ₄	20	16 ¹ / ₄
90°	12"	25 ¹ / ₂	16	25 ³ / ₄	16 ¹ / ₄	26	16 ¹ / ₄
90°	18"	31 ¹ / ₂	16	31 ³ / ₄	16 ¹ / ₄	32	16 ¹ / ₄
90°	24"	37 ¹ / ₂	16	37 ³ / ₄	16 ¹ / ₄	38	16 ¹ / ₄
90°	48"	61 ¹ / ₂	16	61 ³ / ₄	16 ¹ / ₄	62	16 ¹ / ₄

DURA-BLACK SINGLE-WALL PIPE



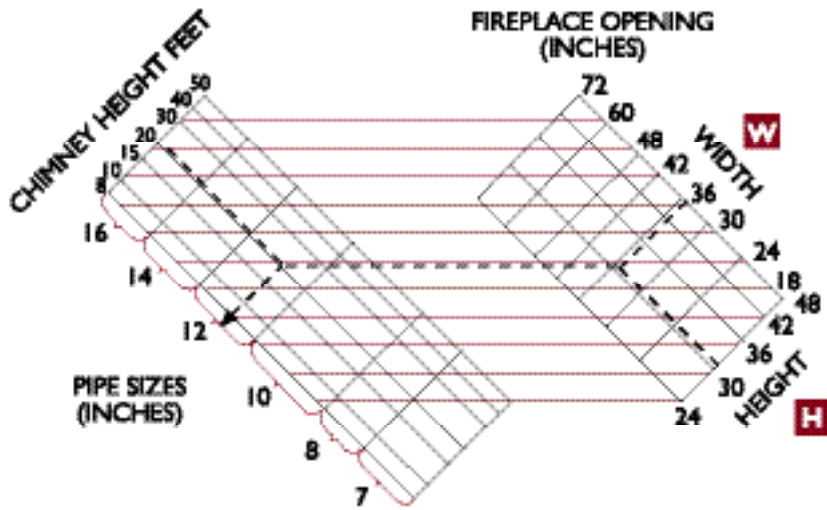
SIZE		6" Diameter		7" Diameter		8" Diameter	
Elbow Angle from Vertical	Connect Length Between Elbows	Offset inches	Rise inches	Offset inches	Rise inches	Offset inches	Rise inches
45°	0"	5 ¹ / ₂	14 ¹ / ₂	5 ¹ / ₂	14 ³ / ₄	5 ¹ / ₂	14 ³ / ₄
45°	12"	13	22	13 ¹ / ₄	22 ¹ / ₄	13 ¹ / ₄	22 ¹ / ₄
45°	24"	21 ¹ / ₂	30 ¹ / ₂	21 ³ / ₄	30 ³ / ₄	21 ³ / ₄	30 ³ / ₄
45°	48"	38 ¹ / ₂	47 ¹ / ₂	38 ³ / ₄	47 ³ / ₄	38 ³ / ₄	47 ³ / ₄
90°	0"	14 ³ / ₄	16	15	16 ¹ / ₄	14 ³ / ₄	16
90°	12"	25 ¹ / ₂	16	25 ³ / ₄	16 ¹ / ₄	25 ¹ / ₂	16
90°	24"	37 ¹ / ₄	16	37 ³ / ₄	16 ¹ / ₄	37 ¹ / ₄	16
90°	48"	61 ¹ / ₂	16	61 ¹ / ₄	16 ¹ / ₄	61 ¹ / ₂	16

CHIMNEY SIZING CHART

DURATECH CHIMNEY

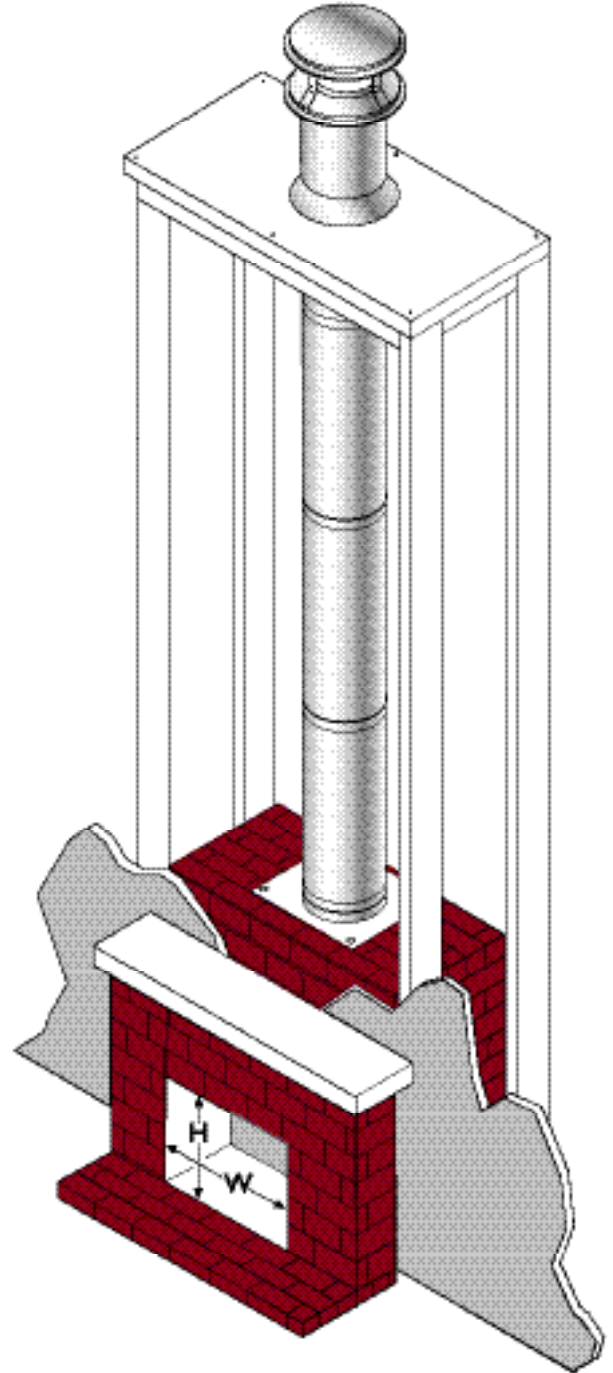
FOR FIREPLACE INSTALLATIONS

The sizing chart below relates chimney height requirement to fireplace opening.



DOTTED LINE REPRESENTS
SAMPLE PROBLEM

EXAMPLE shows fireplace opening as 36 inches wide, 30-inches high, and the chimney height as 20 feet. The correct flue size for the sample problem is 12-inch diameter pipe.



WARRANTY

SIMPSON DURA-VENT LIMITED LIFETIME WARRANTY

Simpson Dura-Vent warrants DuraTech Chimney to be free of defects in material or workmanship for as long as the original consumer owns the chimney system. The warranty is limited to replacement (exclusive of installation costs) of all component fittings and chimney pipe lengths for a period of 25 years, except rain caps which are covered for five years from the date of installation. During the remainder of the warranty period, the warranty is limited to Simpson Dura-Vent providing replacement chimney pipe lengths at 50% of the retail list price in effect at the time of the warranty claim.

Simpson Dura-Vent warrants DVL double-wall stovepipe to be free of defects in material or workmanship for a period of 25 years from the date of installation. Simpson Dura-Vent warrants Dura-Black single-wall stovepipe to be free of defects in material or workmanship for a period of 5 years from the date of installation.

All warranties, whether expressed or implied, shall be limited to the replacement of pipe lengths and components. Simpson Dura-Vent shall not be responsible for the cost to remove or install replacement pipe or components. In no event shall Simpson Dura-Vent be responsible for any incidental or consequential damage. All warranties shall be conditional upon compliance with the manufacturer's recommended installation and maintenance procedures and intended use of the product. All products must be maintained by periodic inspection and cleaning, including chimney exposed to weather containing corrosive elements. This warranty may not be extended or modified by our agents or representatives. To qualify for warranty replacement, Simpson Dura-Vent shall be given the opportunity to examine the chimney parts prior to replacement.



Customer Service Center

800-835-4429

(707) 446-4740 Fax

www.duravent.com